

CMRI CERT NO. :- CIMFR/TC/SR/H483
 SUPPLE. T.C. NO. :- CIMFR/TC/S/H680
 SUPPLE. T.C. NO. :- CIMFR/TC/S/H144
 CAT. NO./TYPE NO. :- KJB-A-10

TECHNICAL DATA

ENCLOSURE :-
 EX-d AS PER IS/IEC 60079-1:2007

PROTECTION :-
 IP-66 AS PER IS 12063-1987 (IS/IEC 60529:2001)

AREA CLASSIFICATION :-
 ZONE -1 & 2

TEMPERATURE CLASS :-
 T6

GAS GROUPS :-
 IIB

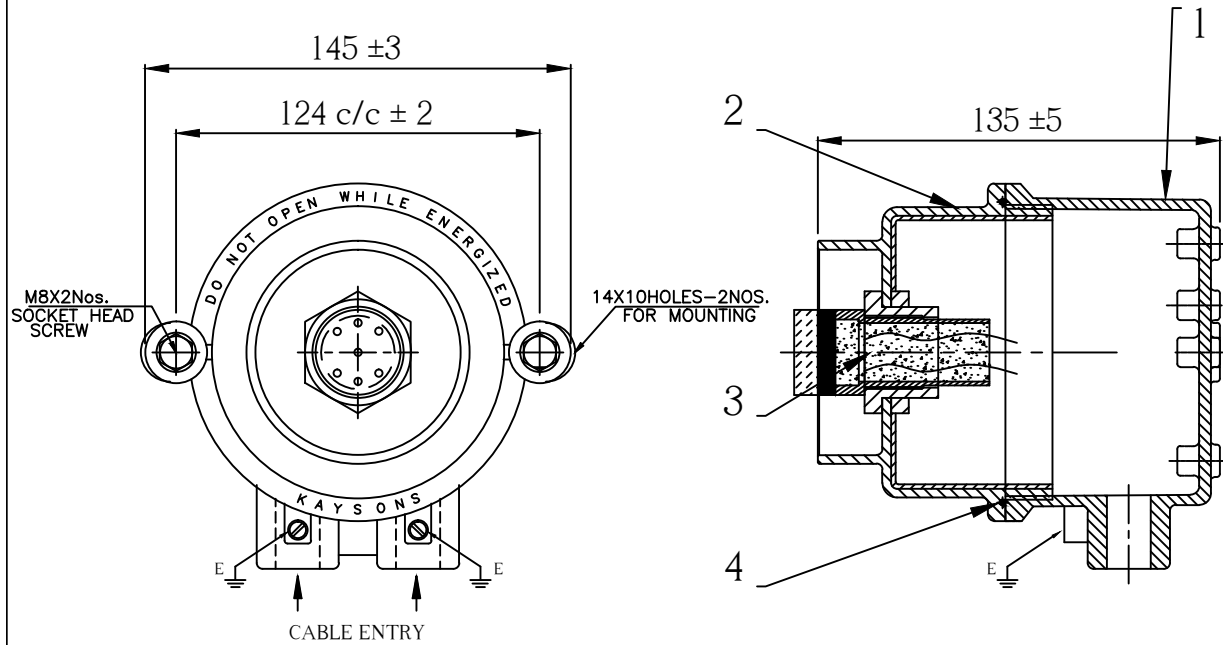
MATERIAL OF CONSTRUCTION :-
 DIE CAST AL. ALLOY LM-6

HARDWARE :-
 STEEL ZINC PLATED/STAINLESS STEEL

FINISH :-
 LIGHT GREY

EARTHING :-
 1 NO. INSIDE & 2 NOS. OUTSIDE

CABLE ENTRY :-
 M20x1.5P / 3/4"ET - 2NOS.



04.	GASKET (ENDLESS, MOULDED)	1	NEOPRENE
03.	BUZZER	1	A.R.
02.	MAIN BODY COVER	1	DIE CAST AL. ALLOY
01.	BODY	1	DIE CAST AL. ALLOY
NO.	DESCRIPTION	QTY	MAT./RATING

CLIENT :-		DRAWN	KBP	1.8.13	DESCRIPTION:- FLAMEPROOF WEATHERPROOF BUZZER
CONSULTANT :-		APP'D	HPB	1.8.13	
P.O.NO. :-		CH'D	NPB	1.8.13	
KAYSONS 1802/7, G.I.D.C. ESTATE, V.U.NAGAR 388121. (GUJARAT)					SHT.NO. 1 OF 1
					REV. 0
					DRG.NO.:- C04

THE INFORMATION CONTAINED IN THIS DRAWING IS THE PROPERTY OF KAYSONS TECHNO EQUIPMENTS PVT. LTD. AND IS NOT TO BE COPIED OR MISUSED IN ANY WAY.				
ISSUE	DATE	BY	MODIFICATION	